

## Single tank sink S1000



Kitchen Sinks

Code: 1180 150



### DETAILS

Edge/Installation Type Flat Edge

---

Finish Foster brushed

---

Material AISI 304 stainless steel

---

Texture Foster brushed

---

Base 80 cm

---

Dimensions 865 x 505 mm

---

Standard fittings Fixing hooks, gasket, drain, overflow and siphon, boxed packing

---

Mixer holes 1 standard hole - 2nd and 3rd on request

---

Built-in hole 840 x 480 mm

---

Drainer No

---

Width 86 cm

---

Bowl dimension 726 x 350 mm

---

Number of bowls 1 bowl

---

Waste fitting 3,5" drain

---

## FEATURES

**2nd / 3rd hole available** The sink can be customized with the execution on request of additional holes, usable for double-hole mixers, for remote controlled drains or for the installation of soap dispensers. The positions are marked on the drawings with dotted line holes.

---

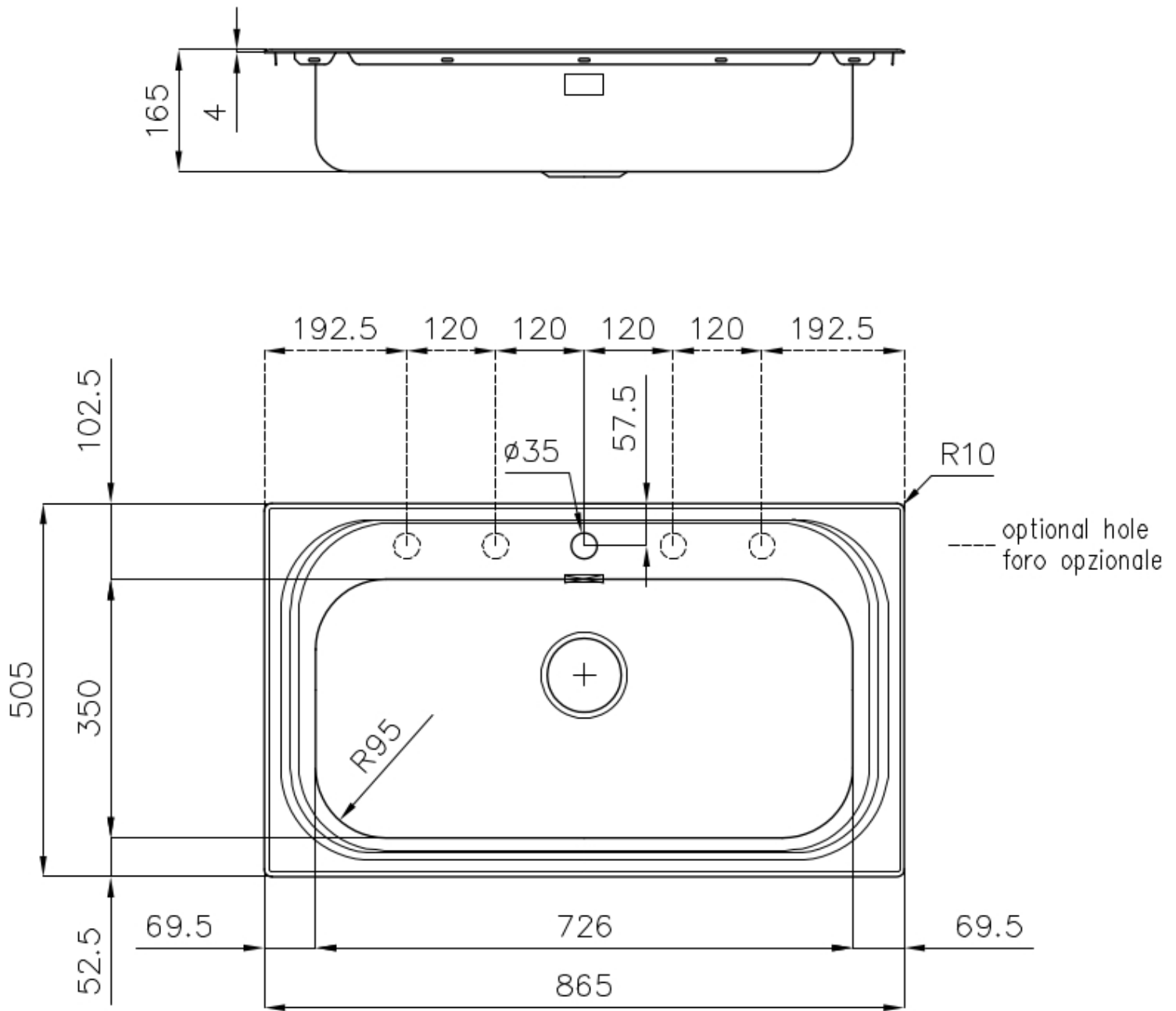
**Added value** Foster uses steel thicknesses higher than those used on average by other manufacturers. This is how, thanks to our long experience, we know how to make sinks of superior quality and with a better resistance to aging.

---

**Basket 3,5" waste fitting** The drain is equipped with a large 3.5" drain, with the practical basket cap that prevents the discharge of solid parts.

---

## TECHNICAL DATA



## GALLERY



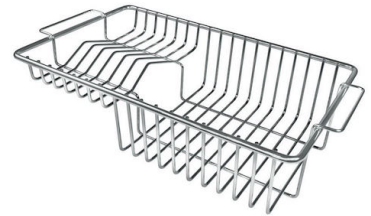
## OPTIONAL ACCESSORIES



**Glass chopping board**  
8633 300



**Iroko-wood chopping board**  
8643 117



**Stainless steel plate rack**  
8100 305

## RECOMMENDED PAIRINGS



**Mixer Tap S1000 - Z65**  
8449 500